

# AHB Type

## 90° 橫向銑頭

- 本體採用球狀石墨鑄鐵，剛性強，加工穩定。
- BT30 刀具接合介面，提供各種 BT30 刀具之彈性應用，涵蓋大部份加工應用。
- 自動刀庫換刀加工（僅錐度 50 橫銑頭可換刀），量化生產必備工具。

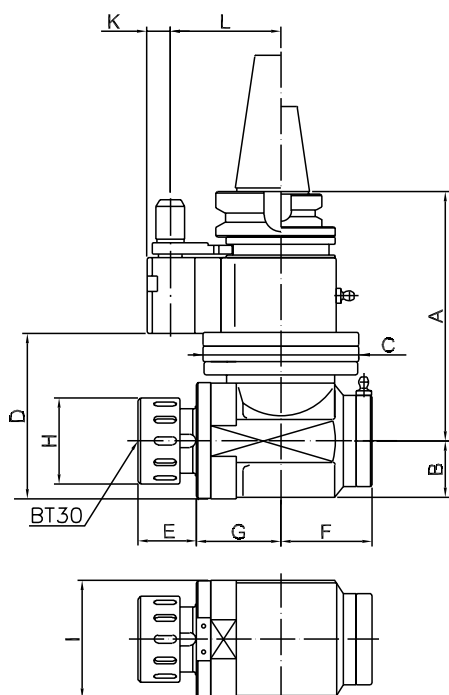
|       |                  |
|-------|------------------|
| 內孔偏擺度 | 0.002 mm         |
| 材質    | 球狀石墨鑄鐵           |
| 轉速    | 最高 6000 RPM      |
| 扭力    | 最大 47 Nm         |
| 齒輪比   | 1 : 1            |
| 適用主軸  | BT, SK(ISO), CAT |
| 標準配件  | 鈎形扳手、開口扳手、BT 螺帽  |
| 出力軸轉向 | 反轉               |

## 90° Angle Head-BT

- The body is made of Ductile Cast Iron. High strength steel; stable machining.
- The output interface of BT30 ensures wide-range application with various BT30 tool holders.
- Can be automatic tool changed (Taper 50 Angle Head only). Increases productivity.

|                    |   |
|--------------------|---|
| Run-out            | 0.002 mm                                |
| Material           | Ductile Cast Iron                       |
| R.P.M.             | Max. 6000 RPM                           |
| Torque             | Max. 47 Nm                              |
| Gear Ratio         | 1 : 1                                   |
| Spindle Type       | BT, SK(ISO), CAT                        |
| Standard Accessory | Hook Spanner<br>Open End Wrench, BT Nut |
| Output Rotation    | Reverse to Input Rotation               |

AHB-BT



Unit : mm

| Model No.      | A   | B    | C   | D     | E  | F  | G  | H  | I  | K  | L         | N.W. (KG) |
|----------------|-----|------|-----|-------|----|----|----|----|----|----|-----------|-----------|
| AHB-BT40-BT30  | 192 | 44.5 | 120 | 127.5 | 45 | 70 | 65 | 66 | 90 | 17 | 70/80/85  | 12.1      |
| AHB-BT50-BT30  | 195 | 44.5 | 120 | 127.5 | 45 | 70 | 65 | 66 | 90 | 17 | 80/85/110 | 14.7      |
| AHB-SK40-BT30  | 192 | 44.5 | 120 | 127.5 | 45 | 70 | 65 | 66 | 90 | 17 | 70/80/85  | 12.1      |
| AHB-SK50-BT30  | 195 | 44.5 | 120 | 127.5 | 45 | 70 | 65 | 66 | 90 | 17 | 80/85/110 | 14.7      |
| AHB-CAT40-BT30 | 192 | 44.5 | 120 | 127.5 | 45 | 70 | 65 | 66 | 90 | 17 | 70/80/85  | 12.1      |
| AHB-CAT50-BT30 | 195 | 44.5 | 120 | 127.5 | 45 | 70 | 65 | 66 | 90 | 17 | 80/85/110 | 14.7      |